

Three Phase Inverter Second Generation

Omniksol-25k/28k/30k-TL



Product features

Features

- Transformerless with the three level Topology
- Dual MPPT inputs accommodating wide voltage range
- Compact structure design
- Max efficiency up to 98.3%
- PV input intelligent conjunction (optional)

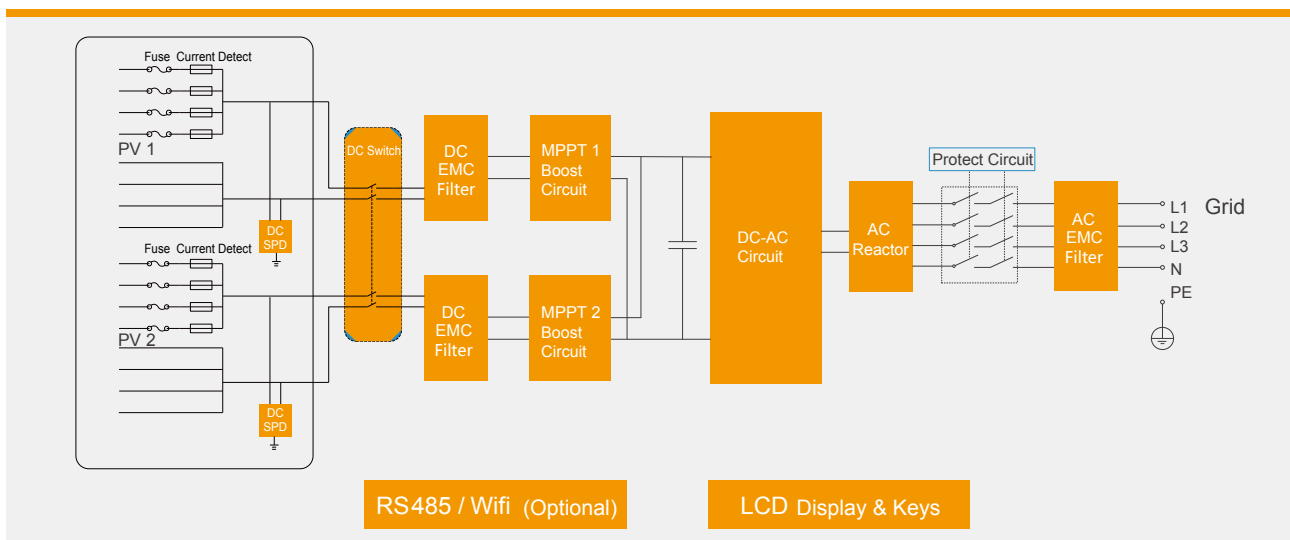
Flexibility

- Indoors and outdoors usage (IP65)
- Easy installation and free maintenance
- RS485/WiFi(optional) communication
- Multi-lingual display with large LCD screen

Reliability

- Reliable protection for over/under voltage, anti-islanding, short circuit, overload, etc.
- 5-year quality warranty extends to 15 years (optional) exclusively
- Comply with NB/T 32004-2013,CQC etc.

Block Diagram



Technical Date

Omniksol-25k/28k/30k-TL

Inverter Model	Omniksol-25k-TL	Omniksol-28k-TL	Omniksol-30k-TL
Input (DC)			
Recommend Max DC power	26500W	30000W	32000W
Max DC voltage	1000V	1000V	1000V
Full load MPPT Voltage Range /Rated Voltage	450-800V/610V	470-800V/610V	500-800V/610V
Max input current input A/input B	32A/32A	32A/32A	32A/32A
Start up voltage /on-grid voltage	160V/200V	160V/200V	160V/200V
Number of MPP trackers /Strings per tracker	2/5	2/5	2/5
Output (AC)			
AC nominal power(@230V,50HZ)	25000W	28000W	30000W
Max nominal apparent power	27500VA	30800VA	33000VA
Nominal AC voltage	3/N/PE;220/380V	3/N/PE;220/380V	3/N/PE;220/380V
	3/N/PE;230/400V	3/N/PE;230/400V	3/N/PE;230/400V
	3/N/PE;240/415V	3/N/PE;240/415V	3/N/PE;240/415V
AC voltage range	176 ~ 270V	176 ~ 270V	176 ~ 270V
AC grid frequency	50HZ/60HZ	50HZ/60HZ	50HZ/60HZ
Max output current	42A	47A	50A
Power factor(adjustable)	0.8leading-0.8lagging	0.8leading-0.8lagging	0.8leading-0.8lagging
Harmonics(THD)	< 3%	< 3%	< 3%
Efficiency			
Max efficiency	98.3%	98.3%	98.3%
Euro efficiency	98.0%	98.0%	98.0%
MPPT efficiency	99.9%	99.9%	99.9%
General data			
Dimensions (W / H / D)	580/800/200mm	580/800/200mm	580/800/200mm
Weight	60Kg	60Kg	60Kg
Operating temperature range	-25°C ~60°C	-25°C ~60°C	-25°C ~60°C
Degree of protection (according to IEC 60529)	IP65	IP65	IP65
Climatic category (according to IEC 60721-3-4)	4K4H	4K4H	4K4H
Internal consumption: (night)	< 1W	< 1W	< 1W
Cooling concept	Fan	Fan	Fan
PV connection	Common Connector/Intelligent Conjunction (Optional)		
Noise (typical)	< 50 dB	< 50 dB	< 50 dB
Communication(RS485/WiFi)	Yes/Opt.	Yes/Opt.	Yes/Opt.
Warranty(5 / 10 / 15 years)	Yes/Opt./Opt.	Yes/Opt./Opt.	Yes/Opt./Opt.

Address: XingHu Rd. Nr. 218 bioBAY Park A4-414,
215123, SuZhou, China

Tel: +86-512-6956-8216

Fax: +86-512-6295-6682

E-mail: sales@omnik-solar.com

Website: <http://www.omnik-solar.com>

Products updating continues. Any data change will not be informed exclusively.
Omnik company reserves the right of final interpretation of product technical data and copyrights.



Omnik New Energy Co., Ltd.